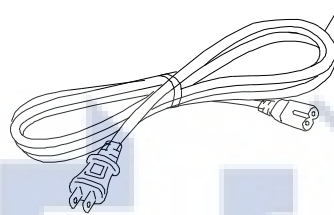
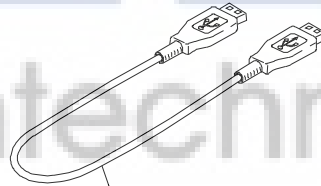


400 (except for ESP(India),ESP(Inter))

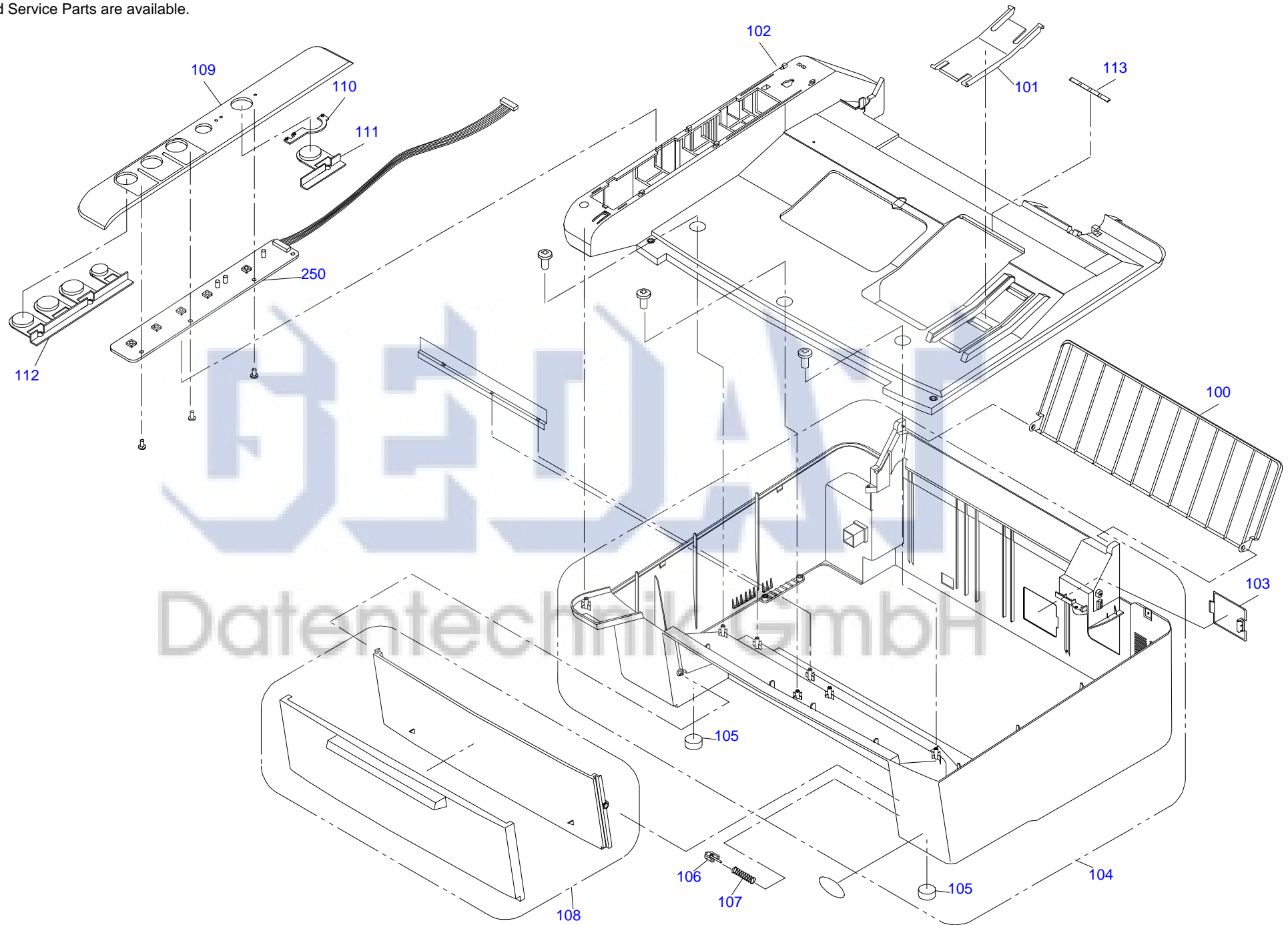


GEDATA  
Datentechnik GmbH

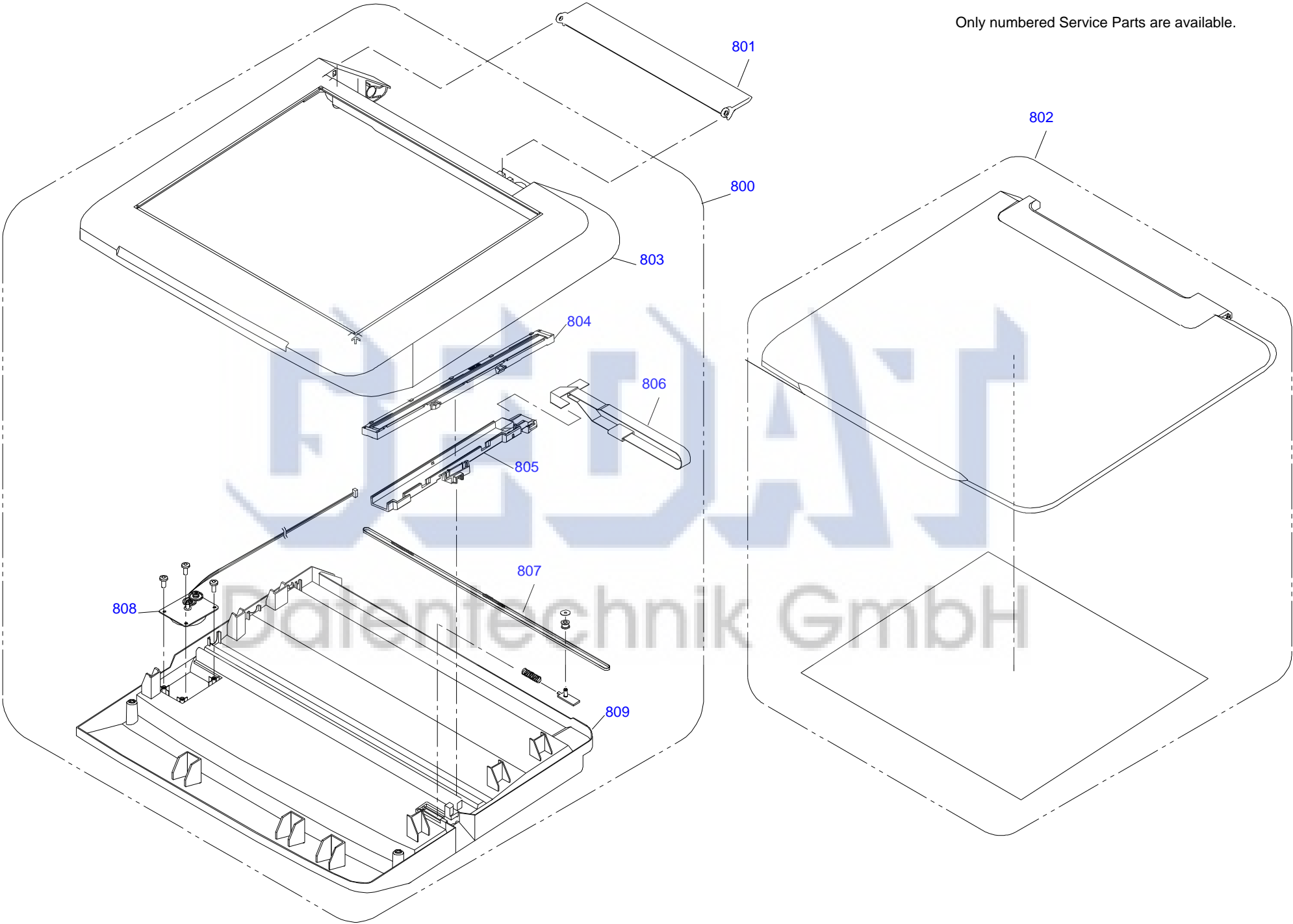
401 (only for EAI(Latin 120V Mexico/Brazil, Latin 220V)  
,ESP(Phil),EAL,ETT,EKL,EHK)

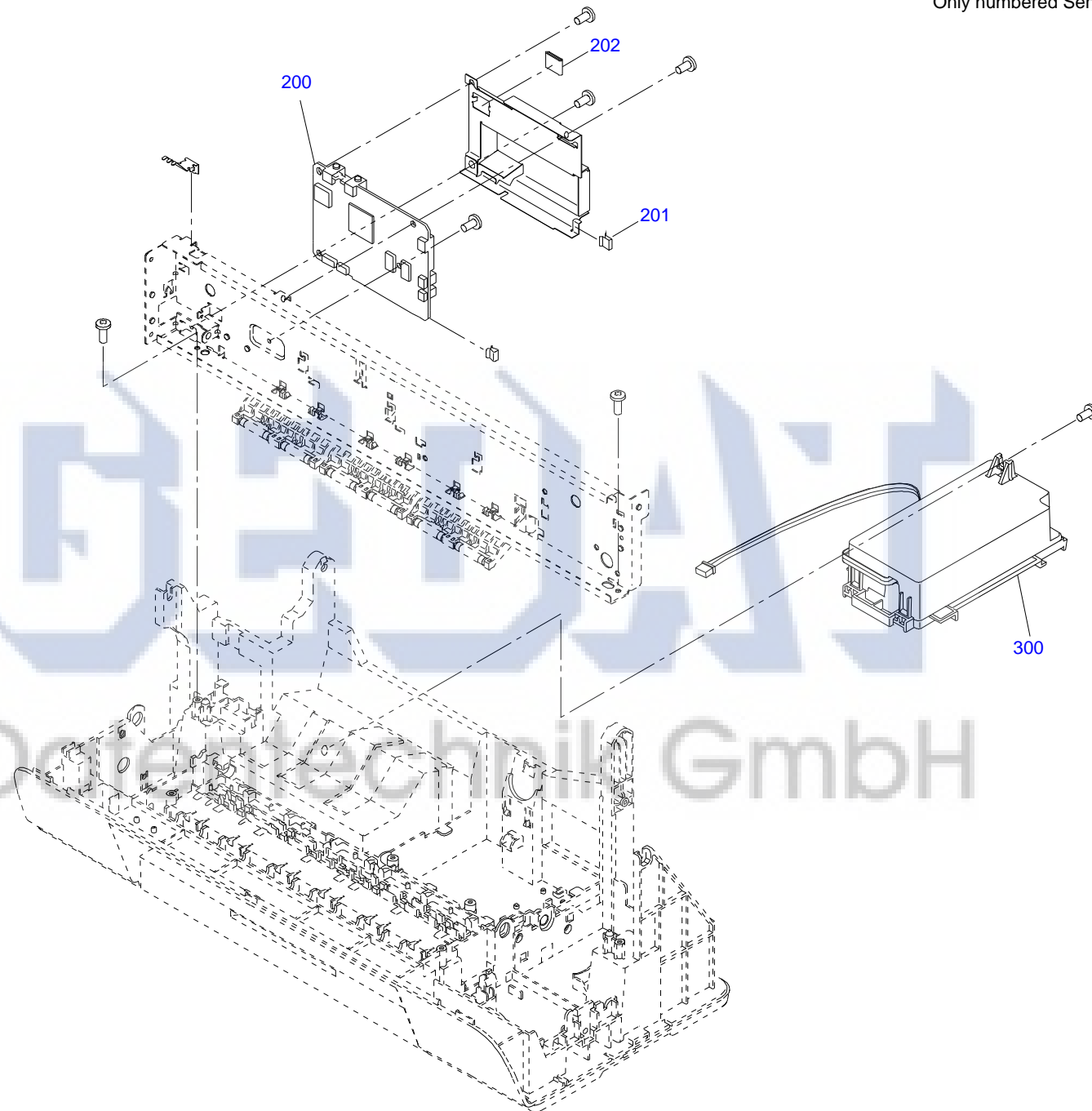


Only numbered Service Parts are available.



Only numbered Service Parts are available.





Only numbered Service Parts are available.

